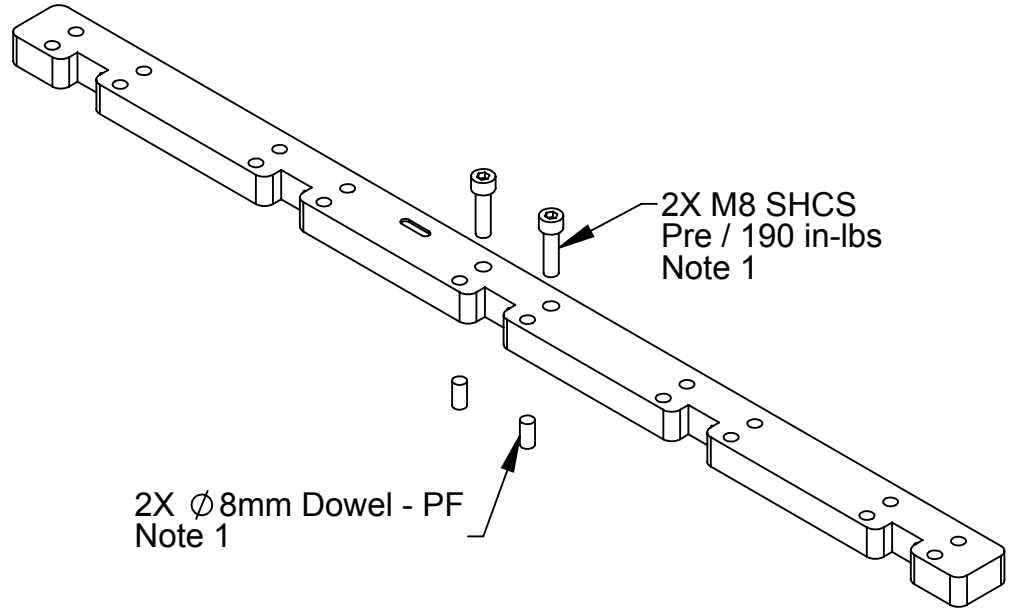
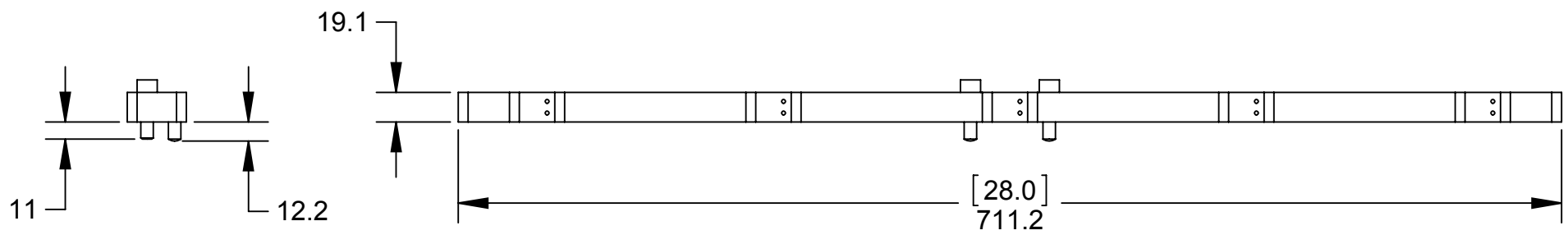
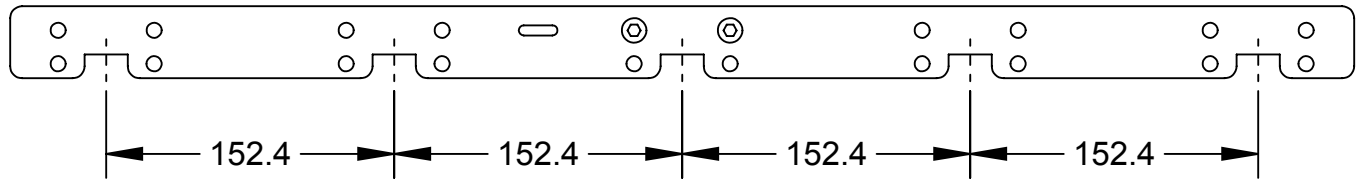


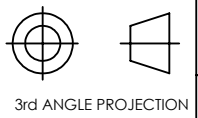
Rev.	Description	Initiator	Date
01	Initial Drawing	JDB	09/13/2013




Notes:

- Customer to install fasteners and torque to listed value and press dowels.

NOTES: UNLESS OTHERWISE SPECIFIED.
DO NOT SCALE DRAWING. ALL DIMENSIONS ARE IN MILLIMETERS.



ITEM NO.	QTY.	PART NUMBER	DESCRIPTION
1	1	9120-TSS-TB-3570	TSS Tool Bar - 5 Position



1031 Goodworth Drive, Apex, NC 27539, USA
 Tel: +1.919.772.0115 Email: info@ati-ia.com
 Fax: +1.919.772.8259 www.ati-ia.com
 ISO 9001 Registered Company

PROPERTY OF ATI INDUSTRIAL AUTOMATION, INC. NOT TO BE REPRODUCED IN ANY MANNER EXCEPT ON ORDER OR WITH PRIOR WRITTEN AUTHORIZATION OF ATI.

DRAWN BY: D.Brewer, 9/20/13		TITLE	
CHECKED BY: J. Winterroth, 10/30/13		TSS Tool Bar - 5 Position	
PROJECT #	SHEET 1 OF 1	SCALE	SIZE
		1:4	B
		DRAWING NUMBER	REVISION
		9630-20-TSS-TB-3570	01